

F

E

D

C

B

A

4

3

2

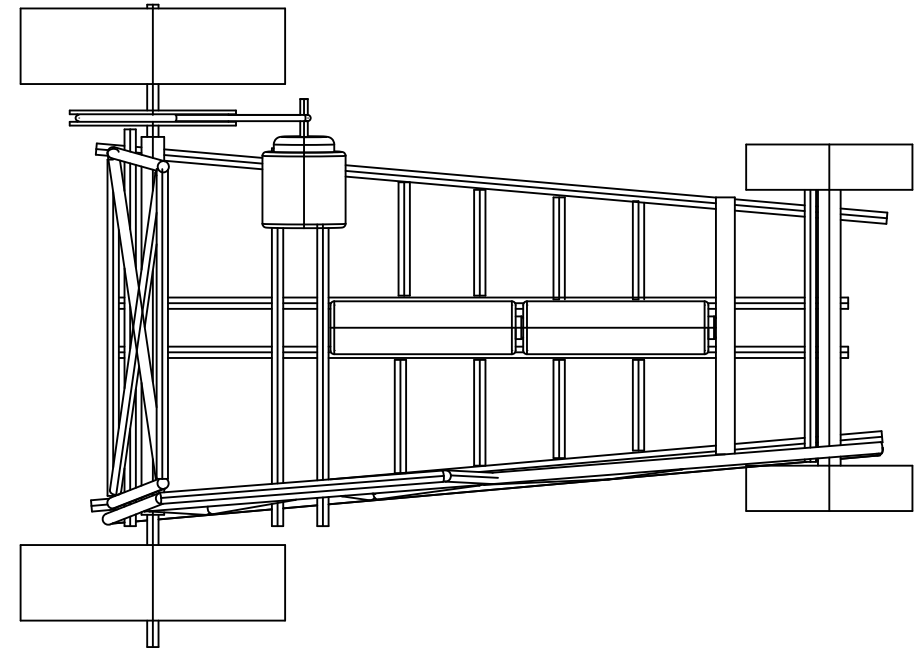
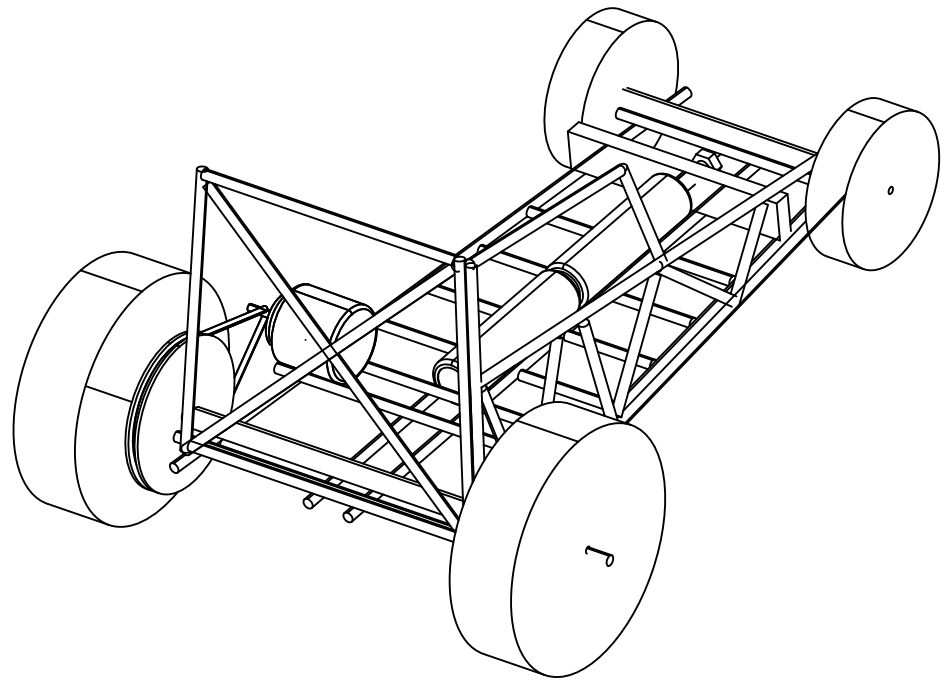
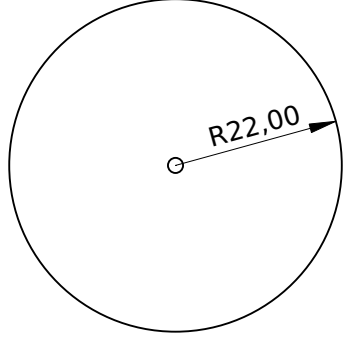
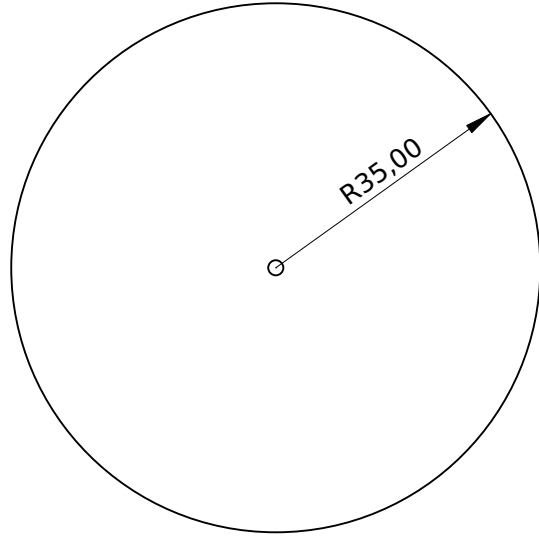
1


4

3

2

1



DESIGNED BY: <b>Sergio Hermosilla</b>		<b>Title</b> Electric car pulley driven		G	—
DATE: <b>1/03/21</b>				F	—
SIZE <b>A4</b>				E	—
SCALE				D	—
WEIGHT (kg)	DRAWING NUMBER	C	—		
<b>Scale</b>	<b>Weight</b>	B	—		
		A	—		
This drawing is our property; it can't be reproduced or communicated without our written consent.					

F

E

D

F

E

D

C

B

A

4

4

3

3

2

2

1

1

F

E

D

LISTÓN SOPORTE PILAS

CANUTO DE PAPEL

CANUTO PAPEL

DESIGNED BY:  
**Sergio Hermosilla**  
DATE:  
**1/03/21**

**Title**  
Electric car pulley driven

SIZE  
**A4**



SCALE  
**Scale**

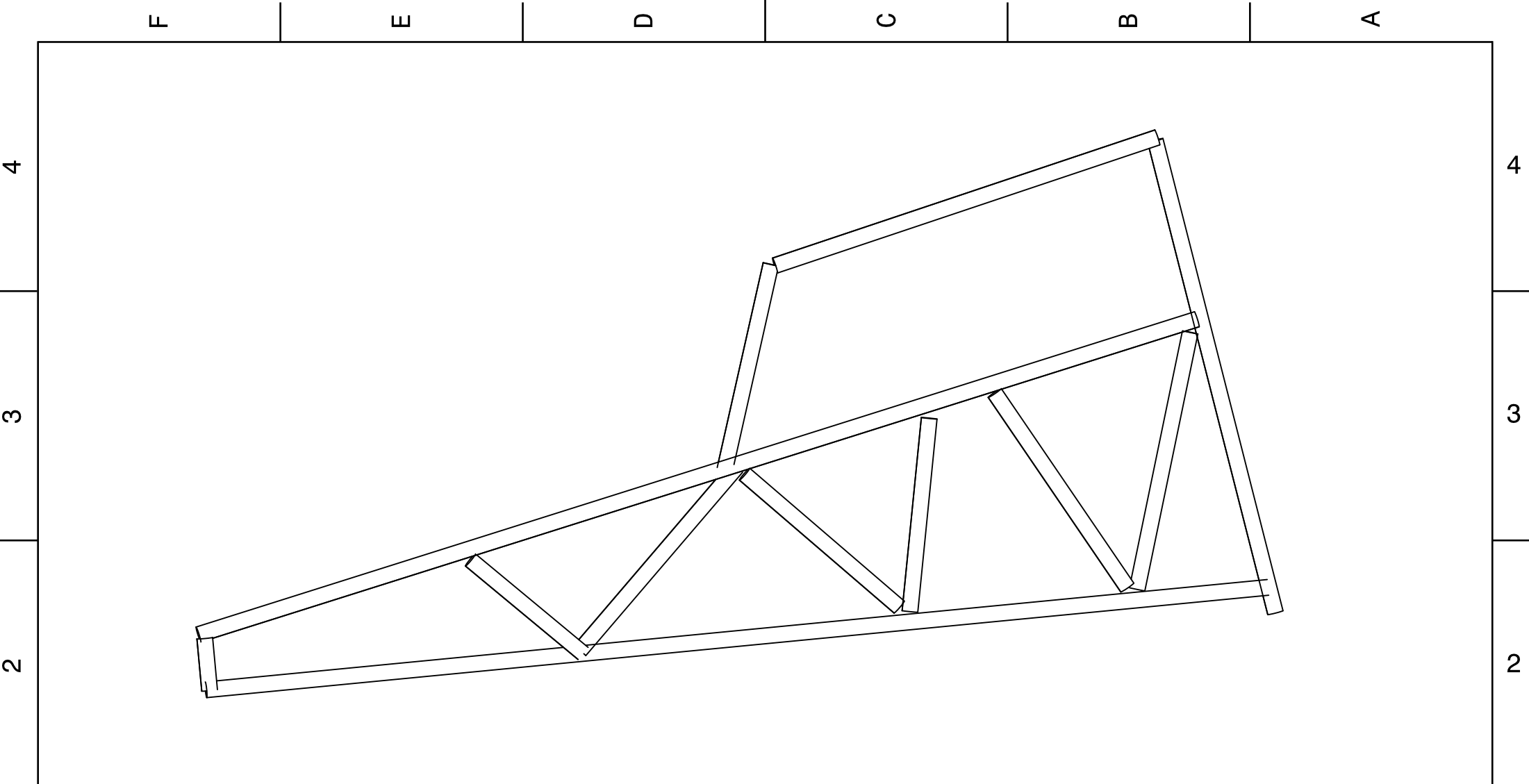
WEIGHT (kg)  
**Weight**

DRAWING NUMBER  
**IES ANTONIO BUERO VALLEJO**

SHEET  
**Sheet**

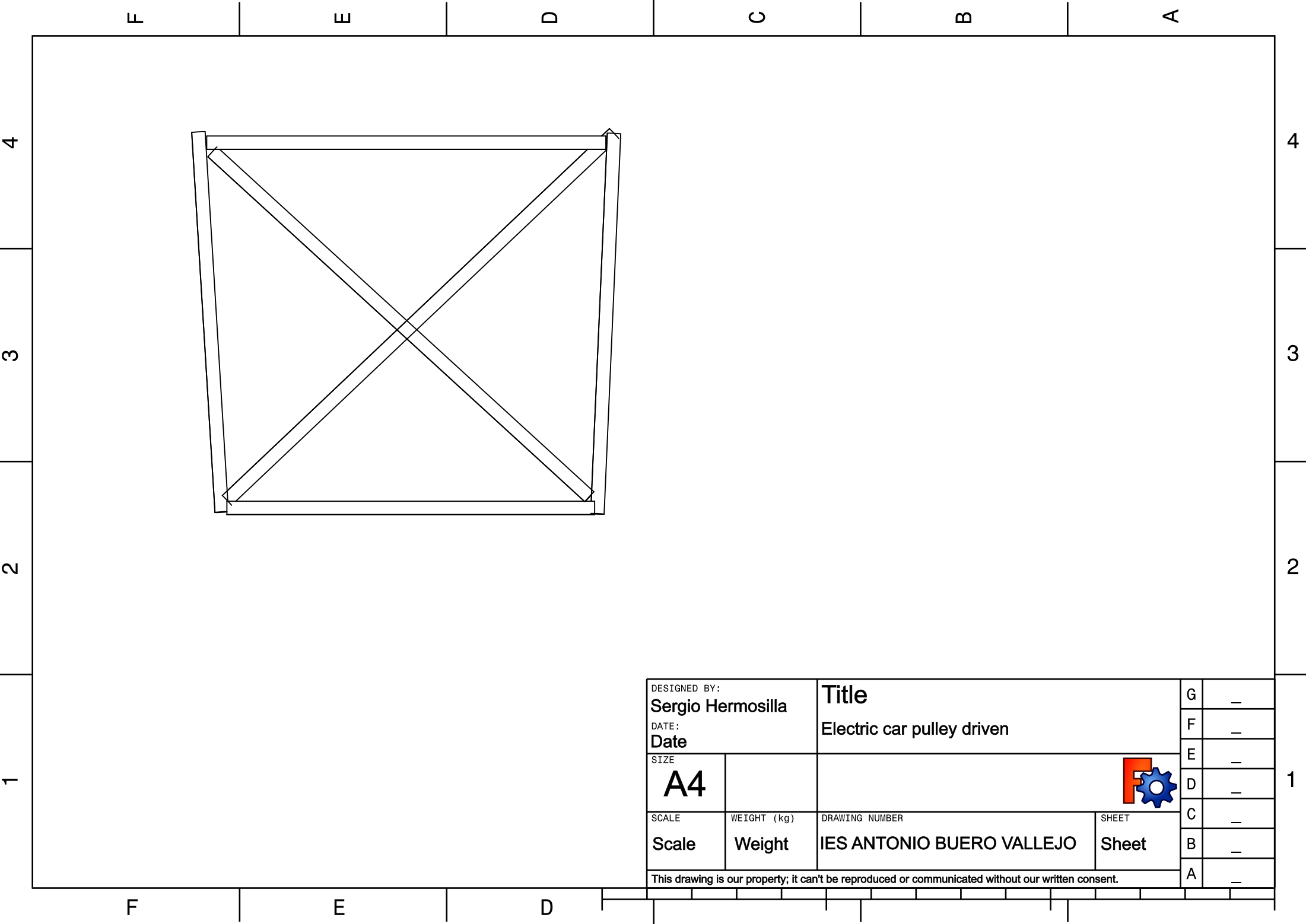
This drawing is our property; it can't be reproduced or communicated without our written consent.


G	—
F	—
E	—
D	—
C	—
B	—
A	—



DESIGNED BY: <b>Sergio Hermosilla</b>		<b>Title</b>		G	—
DATE: <b>1/03/21</b>		<b>Electric car pulley driven</b>		F	—
SIZE	<b>A4</b>			E	—
SCALE	WEIGHT (kg)	DRAWING NUMBER	SHEET	D	—
<b>Scale</b>	<b>Weight</b>	<b>IES ANTONIO BUERO VALLEJO</b>	<b>Sheet</b>	C	—
<b>This drawing is our property; it can't be reproduced or communicated without our written consent.</b>				B	—
				A	—





DESIGNED BY: <b>Sergio Hermosilla</b>		<b>Title</b>		G	—
DATE: <b>Date</b>		Electric car pulley driven		F	—
SIZE <b>A4</b>				E	—
				D	—
SCALE <b>Scale</b>	WEIGHT (kg) <b>Weight</b>	DRAWING NUMBER <b>IES ANTONIO BUERO VALLEJO</b>	SHEET <b>Sheet</b>	C	—
This drawing is our property; it can't be reproduced or communicated without our written consent.				B	—
				A	—